

# DP200 PLASTIC PUMPS

## 200 L/MIN (53 US GAL/MIN) - 1"

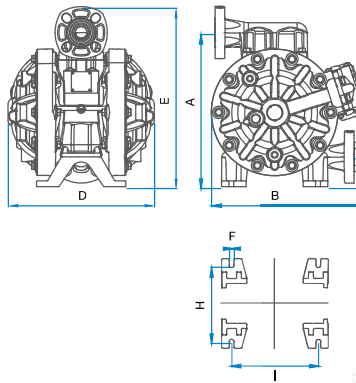
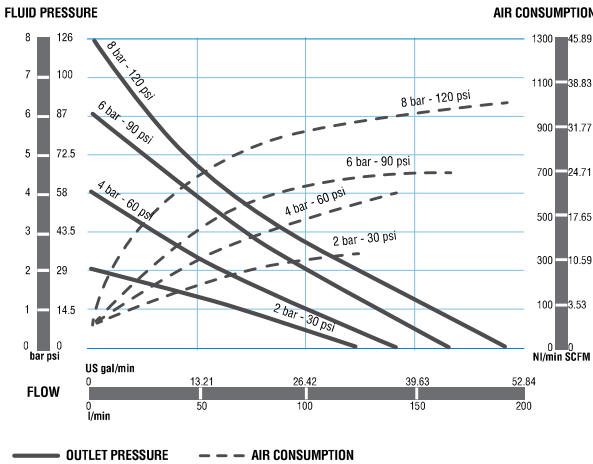
TECHNICAL DATA	DP200 PLASTIC PUMPS
Pressure ratio	1:1
Maximum free delivery (1)	200 l/min (53 US gal/min)
Displacement per cycle (2 x strokes) (1)	1 litre (0.26 US gal)
Air pressure operating range	1,5 to 8 bar (22 to 115 psi)
Solids in suspension max. size	6 mm (1/4")
Maximum dry suction lift (1)	5 m (16')
Maximum wet suction lift (1)	8 m (26')
Weight	10,5 kg (23.15 lb)
Fluid inlet connection	1" DIN PN-10 DN25 flange and ANSI B16.5 1" 150 lb flange
Fluid outlet connection	1" DIN PN-10 DN25 flange and ANSI B16.5 1" 150 lb flange
Air inlet connection	3/8" NPSM (F)
Wetted part materials	See pump nomenclature

(1) Data measured with water, air inlet pressure 7 bar (100 psi), 20 °C (68 °F).



### PERFORMANCE CHART

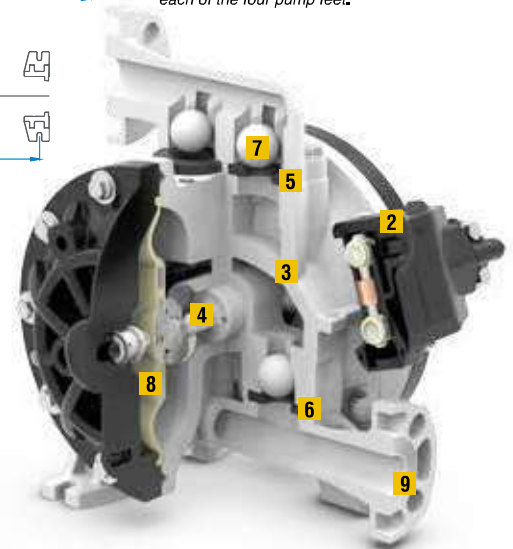
(\* ) 30 psi test with a PTFE (Teflon®) diaphragm pump at room temperature, with water and flooded pump with 31 1/2" (800 mm) height of water above the pump inlet.



Dimensions (mm)

A	B	C	D
311	320	60	295
E	F*	H	I
364	9	154	175

\* Diameter of the holes for fasteners in each of the four pump feet.



### PUMP NOMENCLATURE

#### DP200P - PSE - MTM- FAS

DP200X		XXX			XXX			XXX	
1 Pump Size	2 Air motor	3 Fluid Body	4 Diaphragm Connecting Rod	5 Seals	6 Seats	7 Balls	8 Diaphragms	9 Fluid Connection Threads	10 Options
DP200	ATEX Certified* P = Conductive Polypropylene	P = Polypropylene W = PVDF ATEX Certified* D = Conductive Acetal	S = Stainless Steel AISI 420 Y = Hastelloy® C	E = EPDM N = Buna-N T = PTFE (Teflon®) V = FKM (Viton®)	C = Acetal H = TPE (Hytrel®) M = Santoprene® N = Buna-N P = Polypropylene	C = Acetal N = Buna-N S = Stainless Steel AISI 316 T = PTFE (Teflon®)	H = TPE (Hytrel®) M = Santoprene® N = Buna-N T = PTFE (Teflon®)	F = Flange	AS = Standard BS = Remote air exhaust

\* ATEX Certified versions available Ex II2 GD IIB/IIC 95 °C. Not all possible material combinations are available.